

Part Number: HD 30F13

NOTE: Part number of this accessory may not be the same as the part number shown.

Kit Contents

Item #	Quantity Reqd.	Description
1	1	Hood Protector
2	1	Hardware Kit

Hardware Bag Contents

Item #	Quantity Reqd.	Description
1	4	Large Bumpons
2	2	Metal Mounting Brackets
3	1	Metal Mounting Brackets Type Universal
4	2	Anti-abrasion Film Pads Large
5	1	Anti-abrasion Film Pads Small
6	2	Square Expansion Plugs
7	2	#8 x 7/16" Truss Head Screws
8	5	#6 x 5/8" Flat Head Screws
9	5	Pins
10	2	Push Type Retainers
11	1	Adhesive Pedestals Large
12	4	Adhesive Pedestals Small
13	1	Alcohol Wiping Pads
14	1	Tape strip sheet (repositionable)

Additional Items Required For Installation

Item #	Quantity Reqd.	Description

Conflicts

--

Recommended Tools

Personal & Vehicle Protection	Notes
Special Tools	Notes
Installation Tools	Notes
Long Shank Phillips Screwdriver #2	
Tape Measure	
Masking Tape	
Special Chemicals	Notes



Color Applicability/Trim Level

Accessory Color																			
	Vehicle/Trim Color																		

General Applicability

--

Recommended Sequence of Application

Item #	Accessory
1	
2	
3	

*Mandatory

Vehicle Service Parts (may be required for reassembly)

Item #	Quantity Reqd.	Description
1		
2		
3		

Legend

STOP: Damage to the vehicle may occur. Do not proceed until process has been complied with.

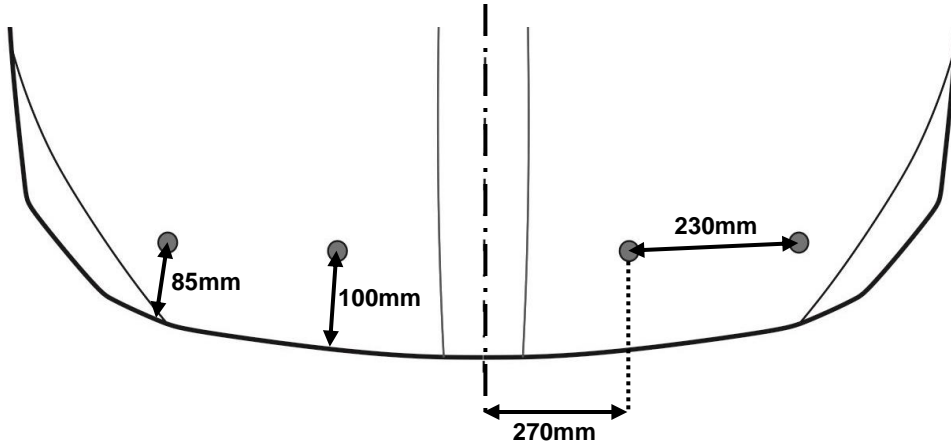
OPERATOR SAFETY: Use caution to avoid risk of injury.


CAUTION: A process that must be carefully observed in order to reduce the risk of damage to the accessory/vehicle and to ensure a quality installation.

TOOLS & EQUIPMENT: Used in Figures calls out the specific tools and equipment recommended for this process.

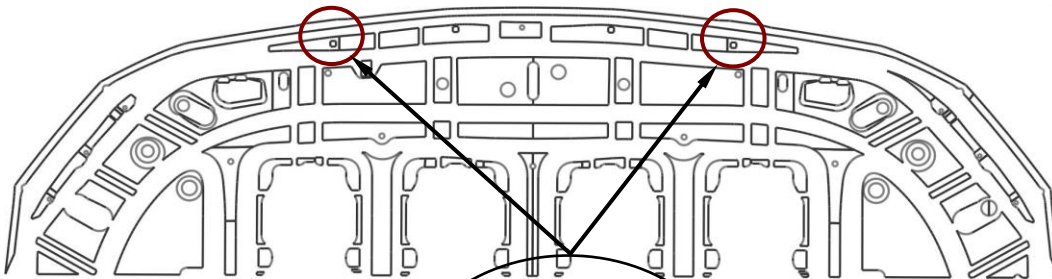
REVISION MARK: This mark highlights a change in installation with respect to previous issue.

Installation Procedure

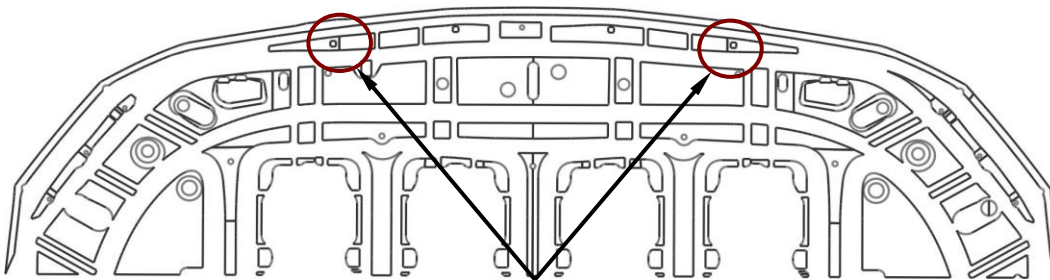
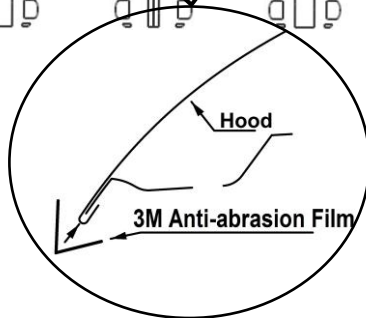


1. Be sure that the hood is clean and dry inside and out.
2. Install the four (4) bumpers as shown. **Attention: Bumpers must be installed on the hood, not on the deflector!!!**  If the bumpers are installed on the deflector, they may wear through the paint.

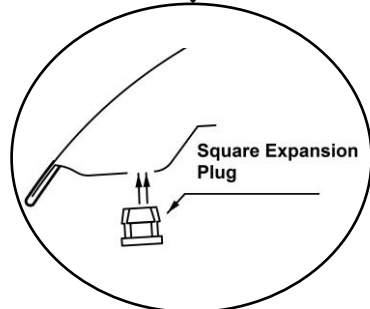
**Looking at underside of the hood
Anti-abrasion Pad Locations**

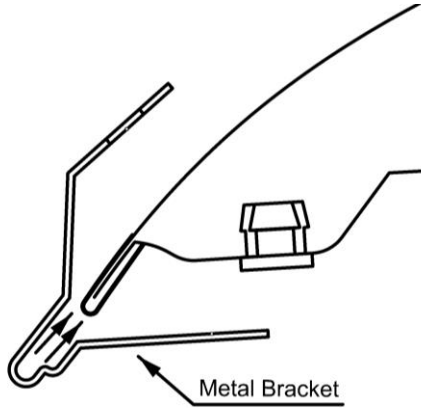


3. Open the hood of the vehicle. Peel and fold the large anti-abrasion film pad in half over the edge of the hood, in the two (2) locations shown in illustration.

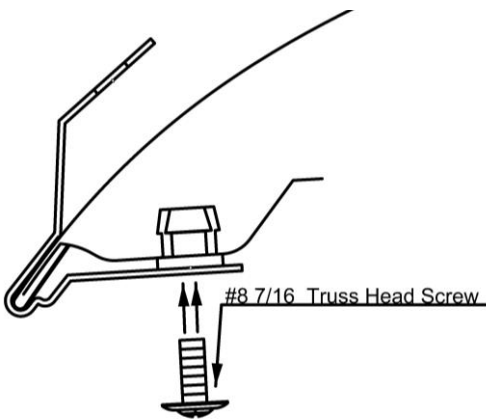


4. Insert square expansion plugs into the holes identified in the illustration.

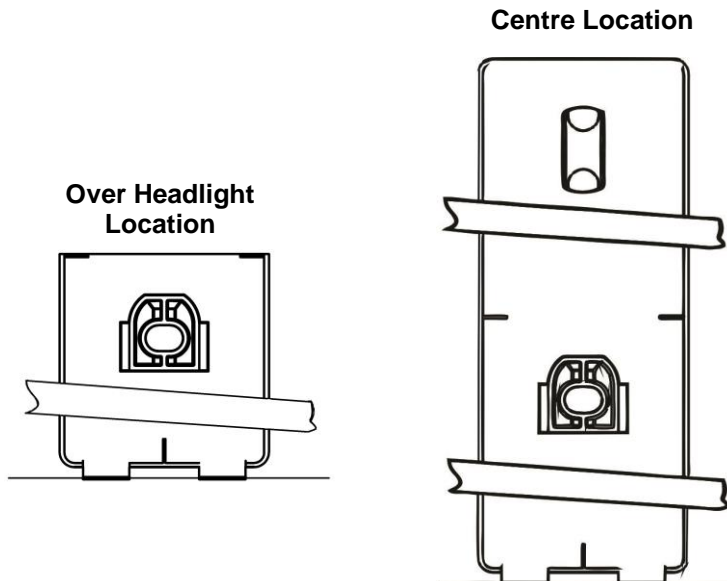




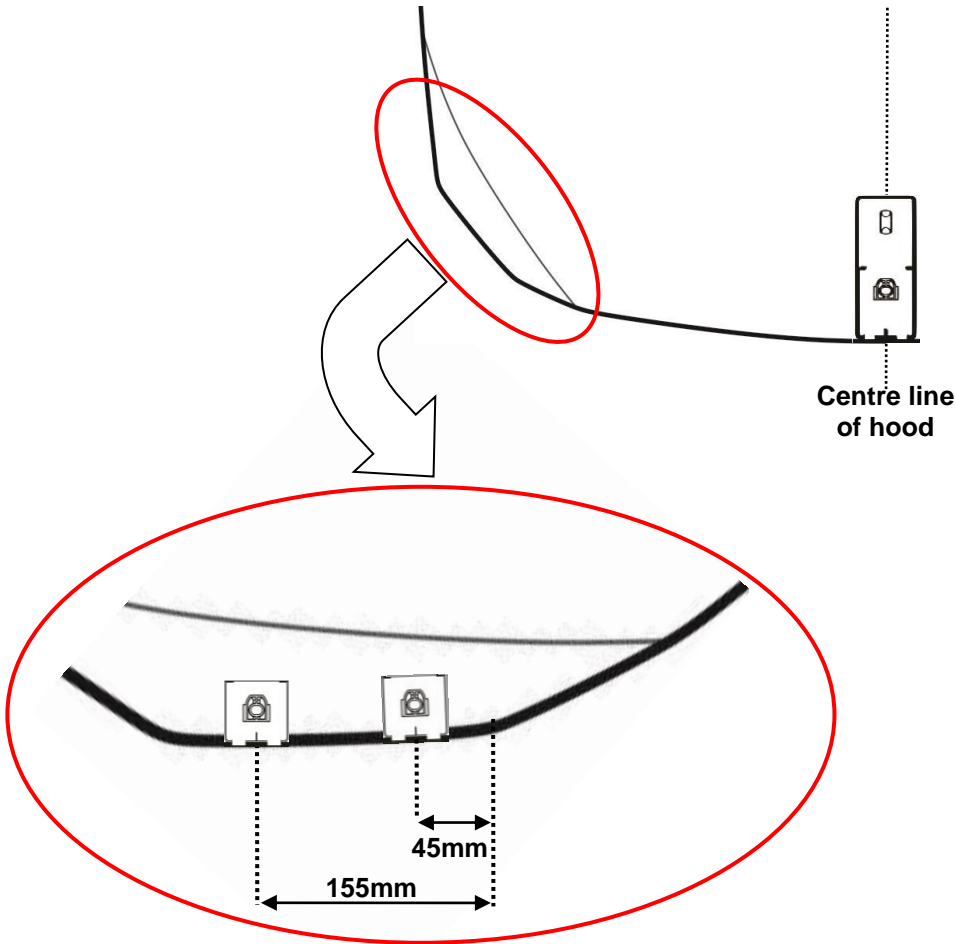
5. Install the Metal Brackets at the correct location over the hood edge, aligning the hole in the bottom leg of the bracket with the hole in the expansion plug.



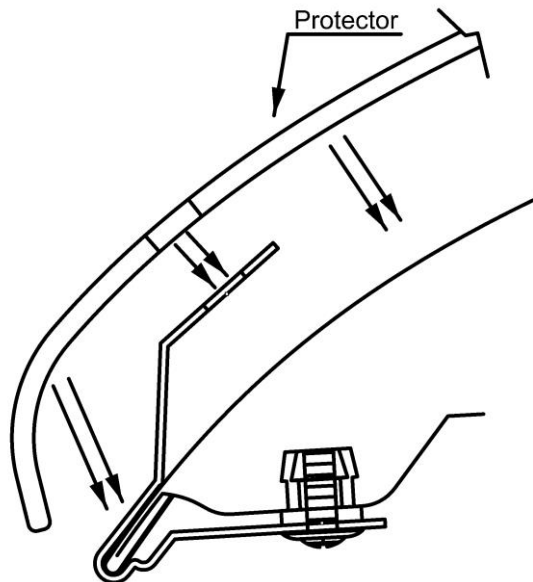
6. Insert the #8 x 7/16" truss head screw through the metal bracket and into the expansion plug. Tighten the screw into the expansion plug making sure the leg of the bracket is well seated against the surface of the hood. See *Illustration*.



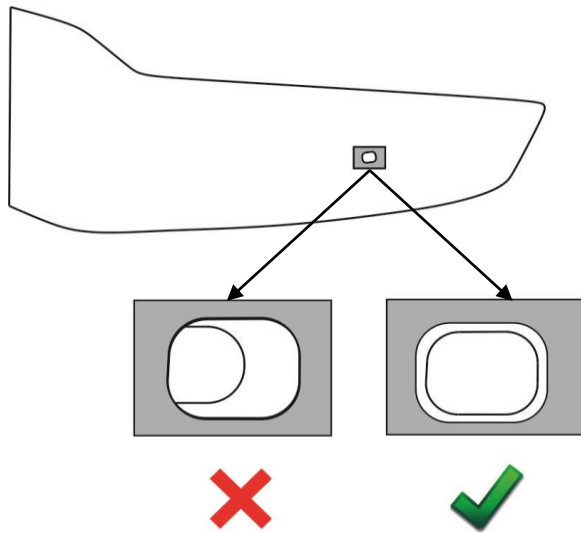
7. Dry fit the adhesive pedestals using masking tape or repositionable tape strips to hold them in position.



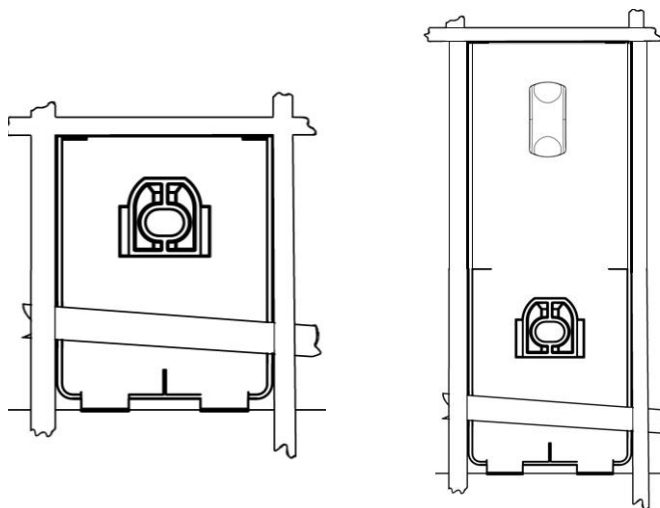
8. The positions of the pedestals are shown in **illustration**. Use the center mark on the leading edge of the pedestal for accurate measuring. The fingers incorporated on the leading edge of the pedestal will help ensure the correct position relative to the hood edge. When correctly positioned the fingers should contact the leading edge of the hood.



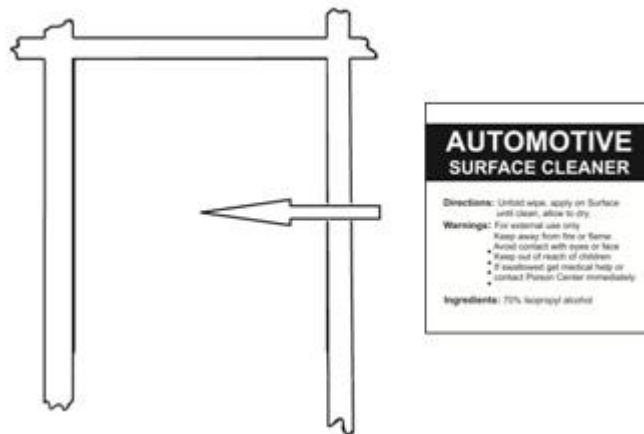
9. Place the protector temporarily onto the metal brackets aligning the holes in the protector with the holes in the metal brackets. This step will allow you to confirm the position of the adhesive pedestals.



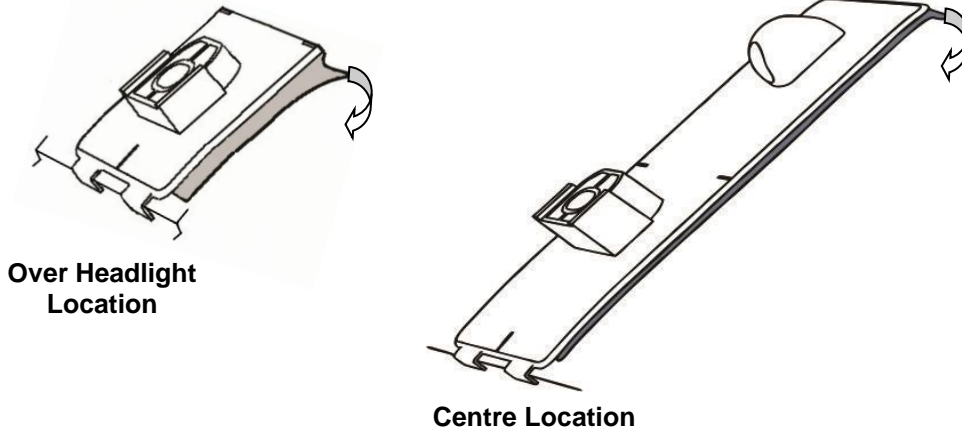
10. Confirm correct positioning of the pedestals, by adjusting the pedestal position on the hood to align with the holes in the hood protector.



11. Remove the hood protector, and outline the perimeter of the pedestals with masking tape or repositionable tape strips to help final installation.

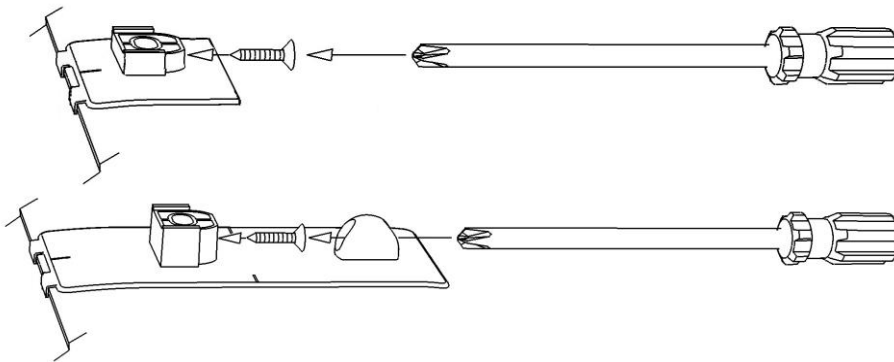


12. Remove the pedestals and thoroughly clean the outlined area with the alcohol wiping pad. This will insure all wax, finger prints and oils are removed from the hood surface in the bonding area.



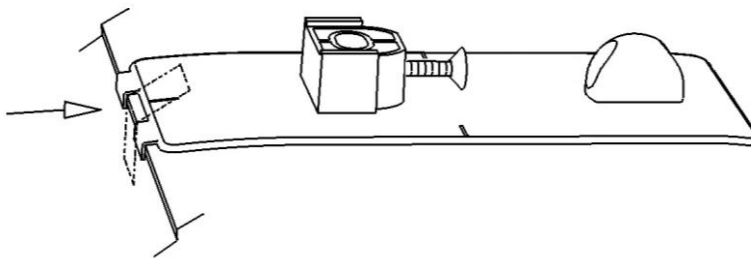
13. Remove the protective backing from the adhesive on the pedestals and install on the hood surface.

Tip: Hook the fingers on the pedestal over the hood edge and rotate the unit into position. After installation, remove the masking tape and “wet out” the tape to the hood surface by applying pressure with your thumb around the surface of the pedestals.

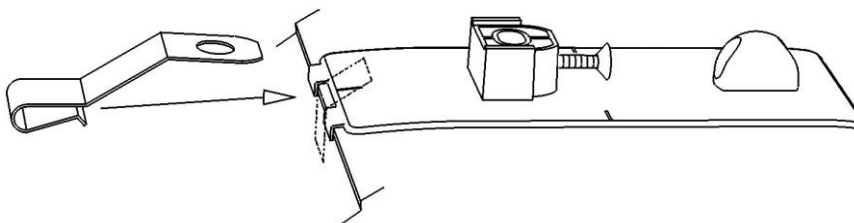


14. Start a #6 x 5/8 flat head screw into each pedestal a few turns. The tip of the screw must not protrude into the hole where the attachment pin will install later.

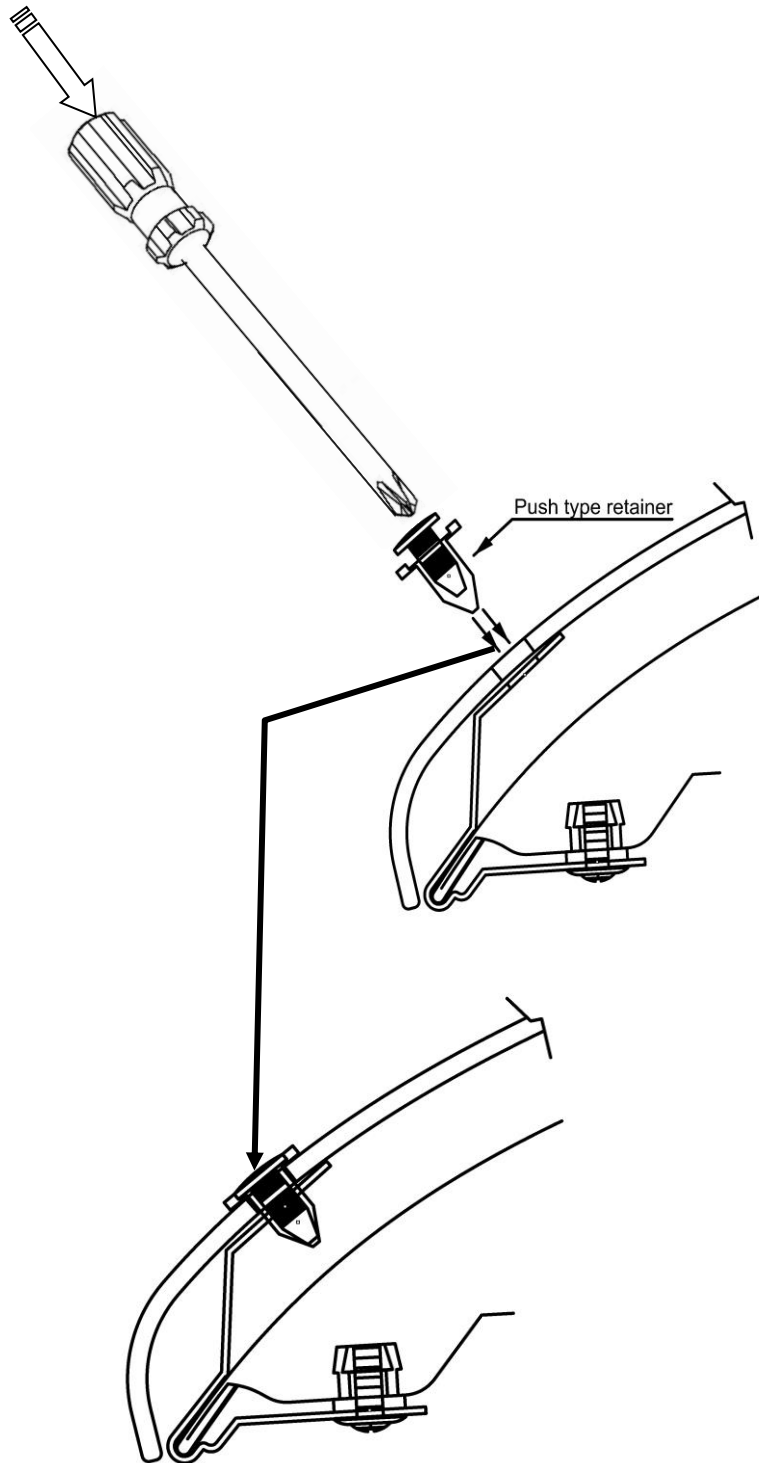
NOTE: Only large pedestals above the grill get the next two steps




15. For the centre pedestal, peel and fold the small anti abrasion film pad in half over the hood edge between the fingers on the pedestal.

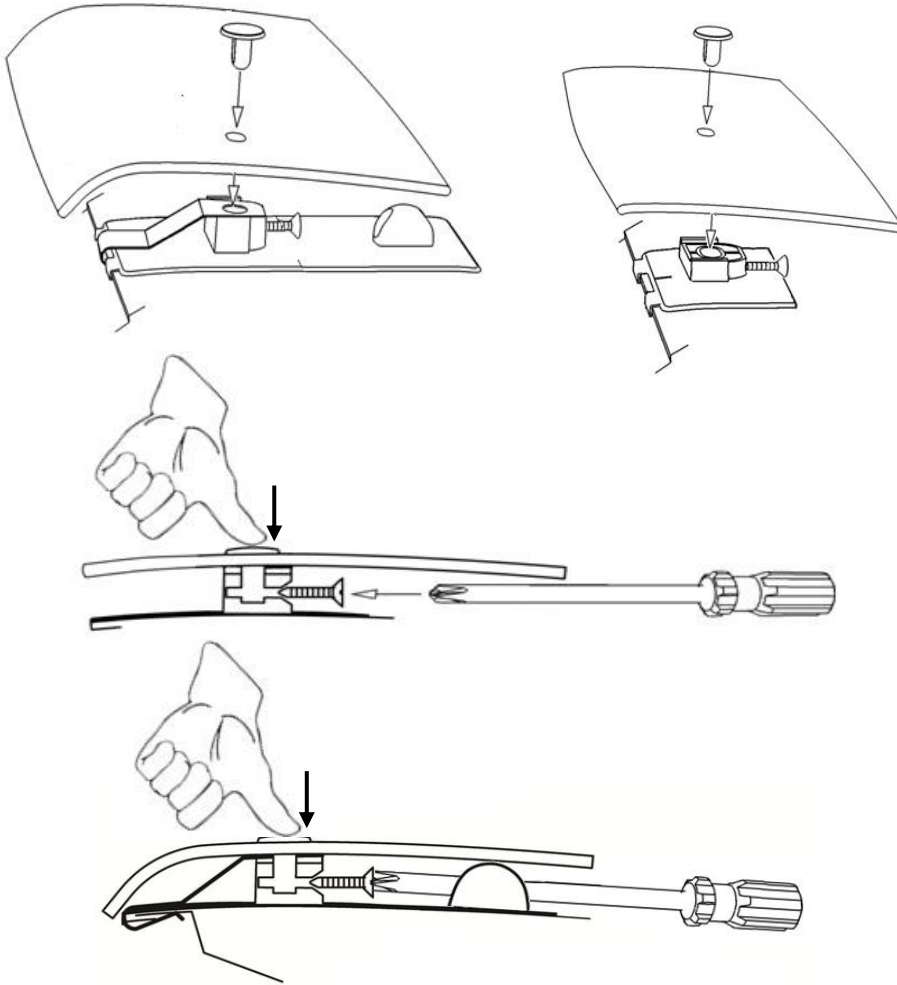


16. Push a metal mounting bracket over the hood edge on top of the anti abrasion pad installed previously. Ensure the bracket is fully engaged over the hood edge and the hole in the bracket is aligned with the hole in the Pedestal.



17. Place the hood protector on the hood resting on the two (2) metal brackets; align the 2 holes in the protector with the holes in the metal brackets. Insert a "push type retainer" through the hole in the protector, and into the bracket. Ensure the protector is well seated against the surface of the metal bracket, and push the center pin of the retainer assembly to lock it into place.

NOTE: Engaging the center pin of the "push type retainer" is best accomplished by  placing a #2 Philips drive screwdriver into the recess of the center pin. Use a light force or tap on the end of the screwdriver to seat the pin into the retainer. The retainer can be removed by unthreading the center pin in the conventional manner with a Philips screwdriver, however initial or subsequent placement is best performed using the "push" method described above.



18. At the pedestal locations, drop a pin through the protector and into the pedestal.
19. Maintain slight pressure on the pin, to ensure proper seating of the components, while simultaneously tightening the screw.



CAUTION: Be sure to take care not to scratch or damage the hood surface while tightening the screw.

NOTE: Proper installation of the adhesive pedestal system requires the use of a #2 Phillips screwdriver, preferably with a long shaft. Use of the correct screw driver will facilitate a trouble free installation. Do not attempt to use #1 or smaller Phillips screwdriver or any type of electric screwdriver. **See illustration.**



20. On some vehicles it may be necessary to adjust the hood bumpers and/or latch for proper clearance.

Note: Do not pull on the protector when opening or closing the hood.

CAUTION: Do not expose the vehicle/hood protector to extreme environments (weather) or car washes for a 24 hour period following the installation to allow the adhesive pedestals sufficient time to reach full bond strength.



CARE INSTRUCTIONS

Clean the protector with a mild soap and water solution or plastic cleaner only. Do not use chemicals or solvents. **Periodically check to make sure the bumpers are in place and the protector is secure. Avoid using automatic car washes.** Do not pull on the protector when opening or closing the hood.

Checklist - these points **MUST** be checked to ensure a quality installation.

Check:

Look For:

Accessory Function Checks

- Ensure hood surface is clean, dry, and surface temperature is above 15 deg C prior to starting installation
- Ensure no parts contact headlamps or grille
- Ensure all clips and fasteners are fully seated and engaged
- Ensure adhesive pedestals are fully adhered and wetted-out

Vehicle Function Checks