

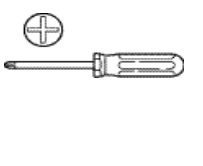


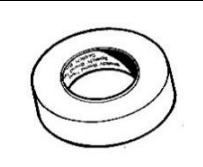
FORM FIT Hood Protector

HD 10K18

Installation Instructions

Hyundai Kona 2018 - up

Basic Required Hand Tools

		
#2 Phillips Screwdriver with LONG SHANK	Clean Cloth	Tape measure
		
Masking Tape		

INSTALLATION

- Make sure the vehicle is clean and completely dry before installation.
- This product uses a 3M adhesive that requires installation and curing temperatures of 15° to 43°C (60° to 110°F) for 1 hr to develop maximum adhesion to the hood surface. Failure to install this product at the proper temperature or allow adequate curing time before use is not covered under warranty.
- Proper installation of the adhesive pedestal system requires the use of a #2 Phillips screwdriver, preferably with a long shaft. The shaft of the screwdriver needs to fit through the hole in the pedestal. Use of the correct screw driver will facilitate a trouble free installation. Do not attempt to use #1 or smaller Phillips screwdriver or any type of electric screwdriver.

CARE

Hand clean the protector using a mild soap and water solution or plastic cleaner only.

Avoid automatic car-wash equipment where a brush and/or soft cloth come in contact with the hood protector. Touch-less style automatic car-wash equipment is less likely to harm the hood protector.

SERVICE

Periodically check to confirm the protector is securely attached to the hood.

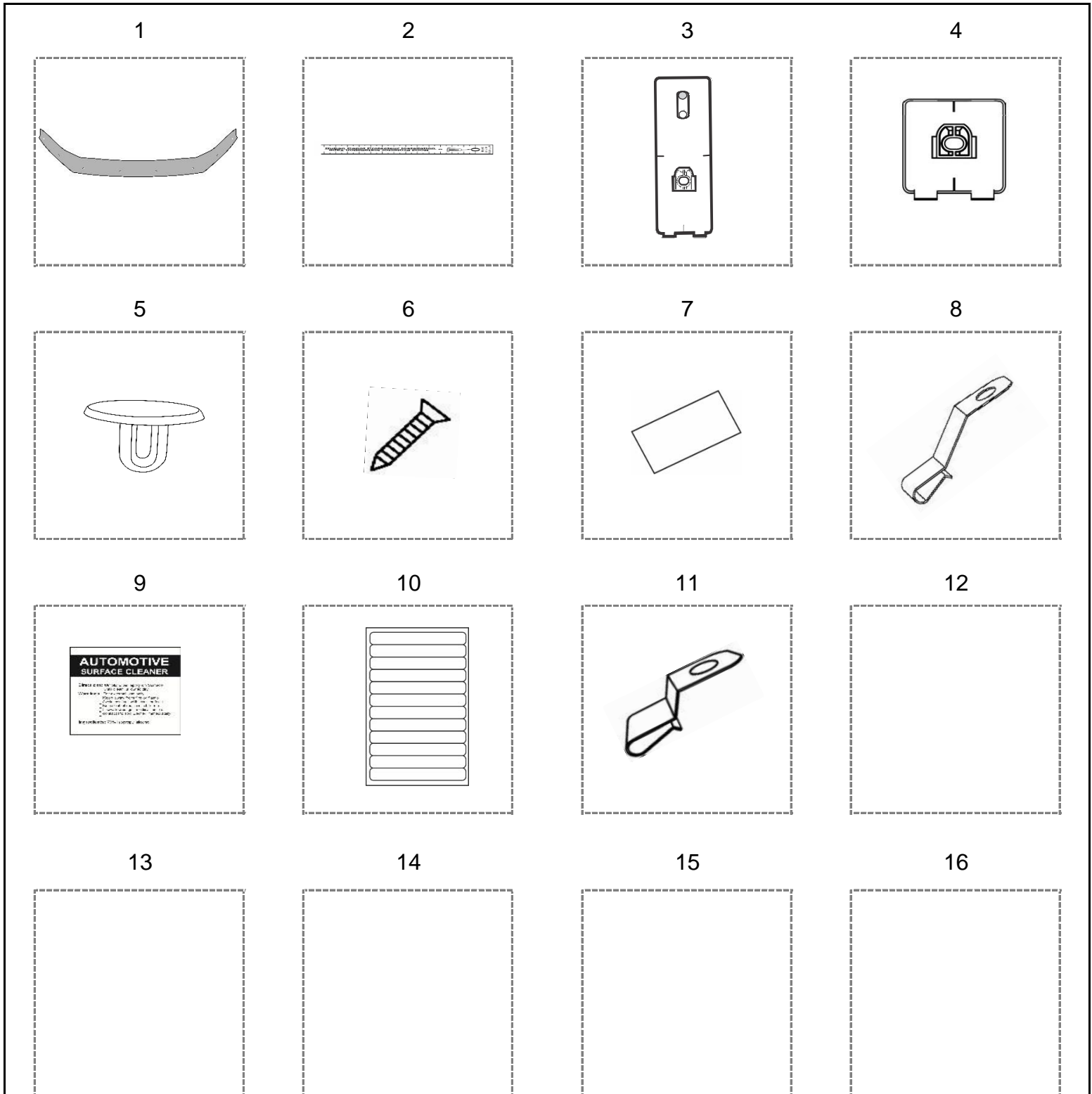
WARNING

Do not pull/push on the protector when opening/closing the hood.

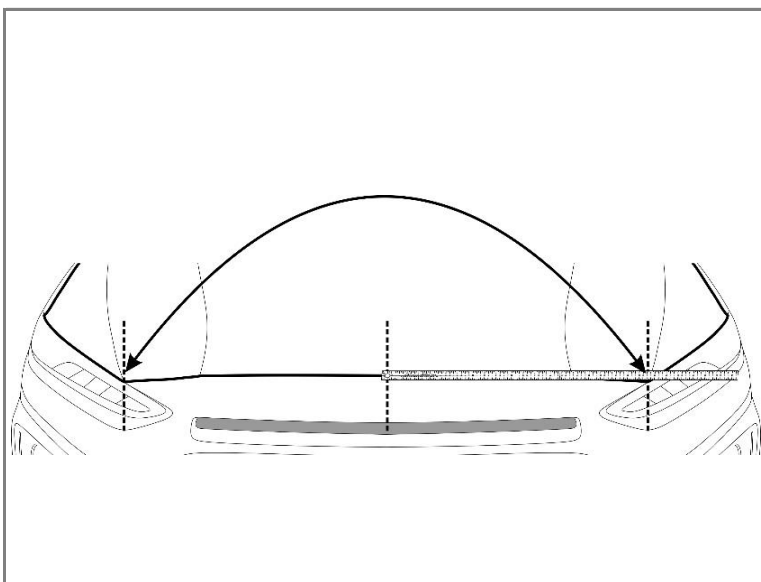
NOTE

On some vehicles it may be necessary to adjust the hood bumpers and/or latch for proper clearance.

Kit Contents

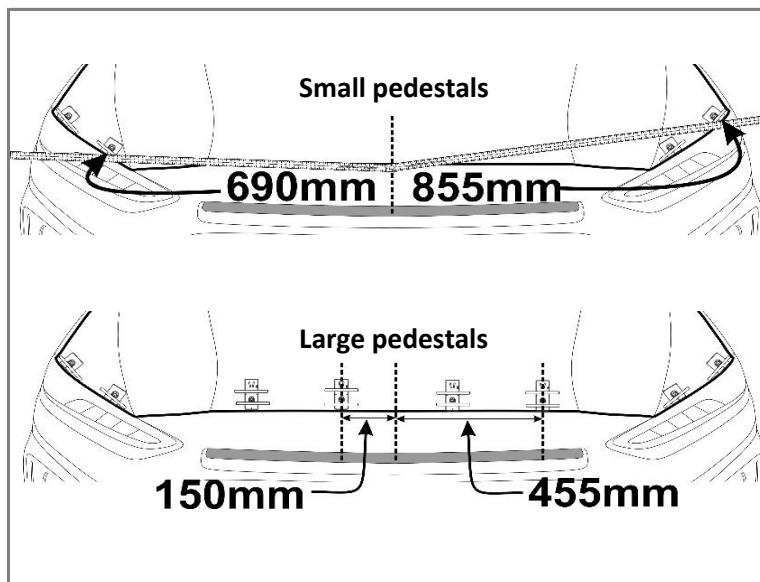


#	Qty.	Description	#	Qty.	Description	#	Qty.	Description
1	1	Hood guard	7	8	Abrasion pads	13		
2	1	Installation tape measure	8	4	Large metal mounting brackets	14		
3	4	Large adhesive pedestals	9	1	Surface Cleaner	15		
4	4	Small adhesive pedestals	10	1	Re-useable tape strips	16		
5	8	Pins	11	4	Small metal mounting brackets			
6	8	Screws	12					



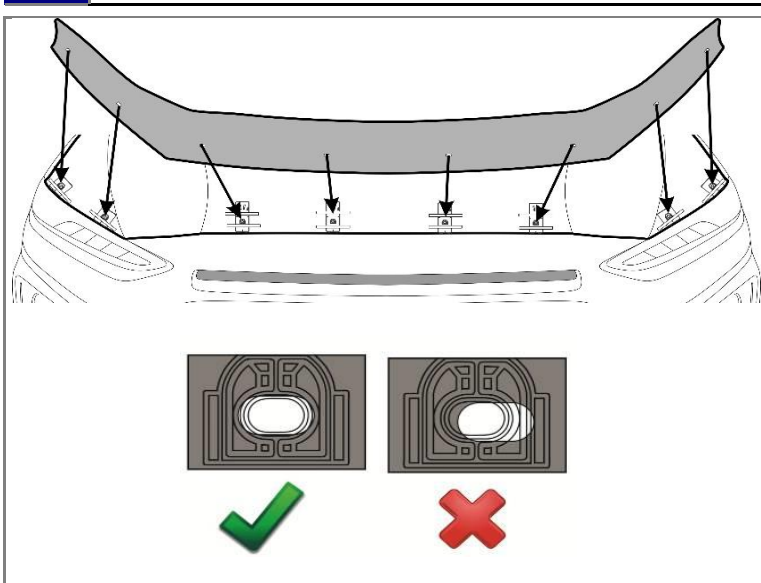
Find center 1

NOTE Estimate the center of the hood and place a piece of masking tape at the edge. Measure to opposite hood corners. When the measurements are equal, place a mark on the masking tape.



Temporarily install pedestals 2

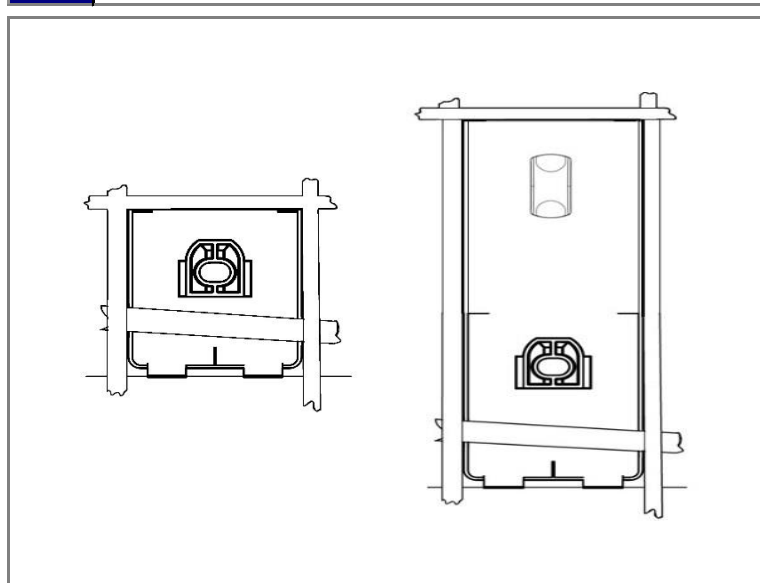
NOTE Dry fit the pedestals using tape strips supplied or masking tape to temporarily hold them in position. The positions of the pedestals are shown in the illustrations. Use the center line on the leading edge of the pedestals for accurate measuring. The pedestals install perpendicular to the hood edge.



Test fit hood protector 3

NOTE


- Place the hood protector on the pedestals to confirm proper positioning.
- Ensure the holes in the protector align with those in the pedestals.
- If necessary, reposition the pedestals so all attachment positions are correct and the protector is well centered.

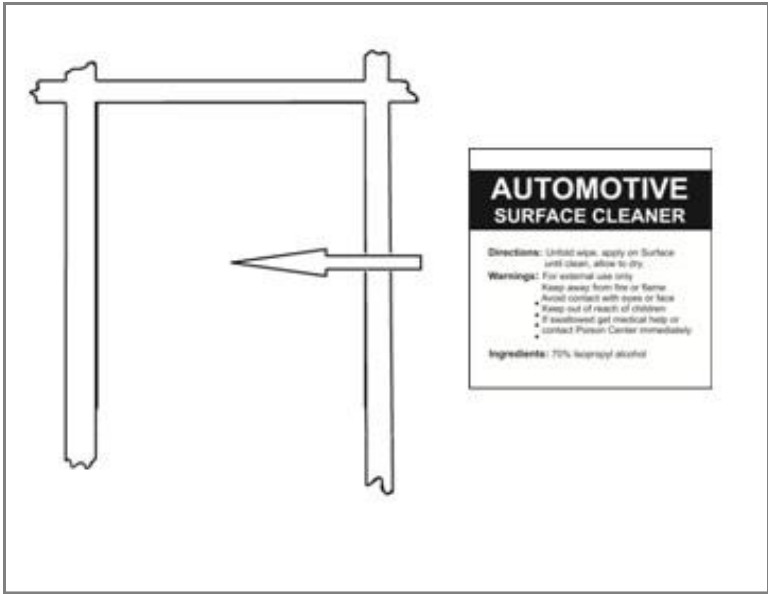


Outline pedestals 4

NOTE Once the location of the center pedestal has been established, outline its position with the supplied tape strips or masking tape.

NOTE Proper marking and prepping of all pedestal locations is critical. Accurately installing them in the exact position is very important. Once attached, the pedestals are very difficult to remove - place them correctly the first time!



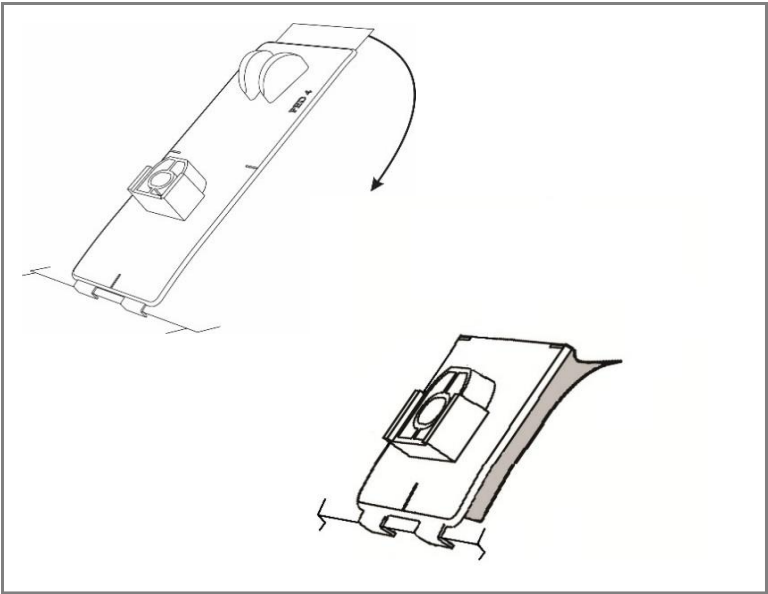


Clean the surface

5

NOTE Remove the pedestal and thoroughly clean the outlined area with the surface cleaner. Wipe dry with a clean cloth or paper towel. This will insure all wax, finger prints and oils are removed from the hood surface in the bonding area.

Important! Proper preparation of the hood surface will ensure maximum adhesive bond.

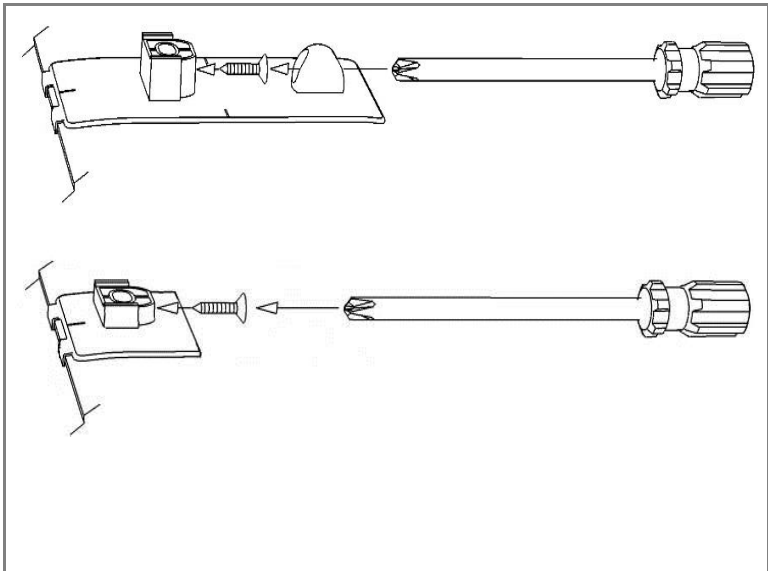


Permanently attach pedestals

6

NOTE Remove the red backing from the adhesive and install on the hood surface. Tip: Hook the fingers on the pedestal over the hood edge and rotate the unit into position. After installation, remove the tape strips and “wet out” the pedestal base by applying pressure with your thumb around the surface of the pedestals.

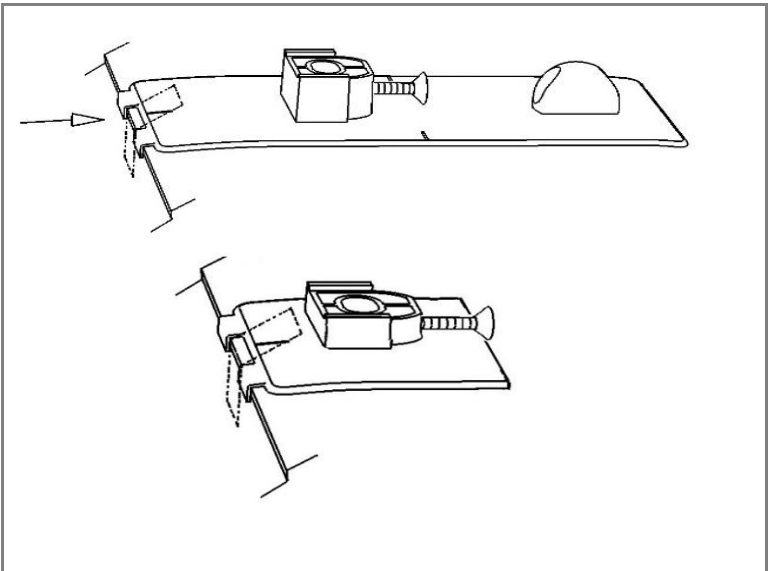
Important: “wetting out” of the pedestal will ensure maximum adhesive bond.



Start screws

7

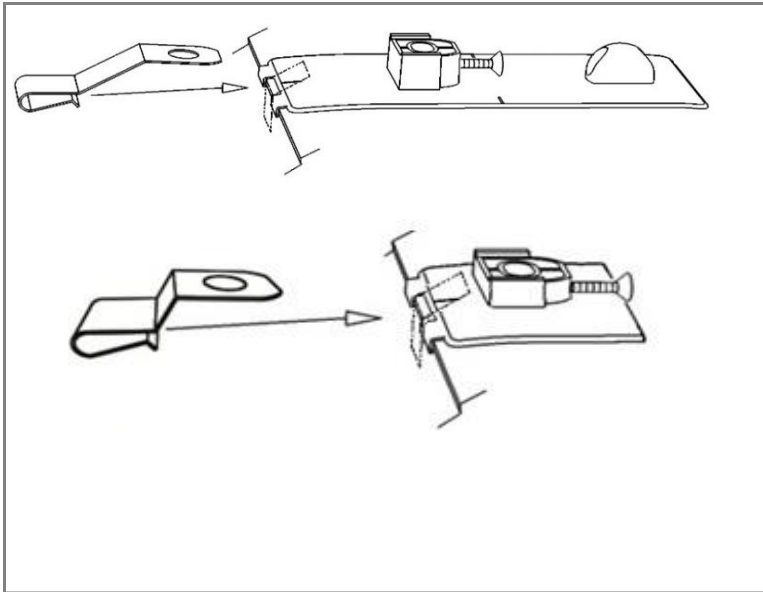
NOTE Start a screw into each pedestal a few turns. The tip of the screw must not protrude into the hole where the attachment pin will install later.



Install anti-abrasion film

8

NOTE Peel and fold the anti-abrasion film pads in half over the hood edge between the fingers on each of the mounting pedestals.

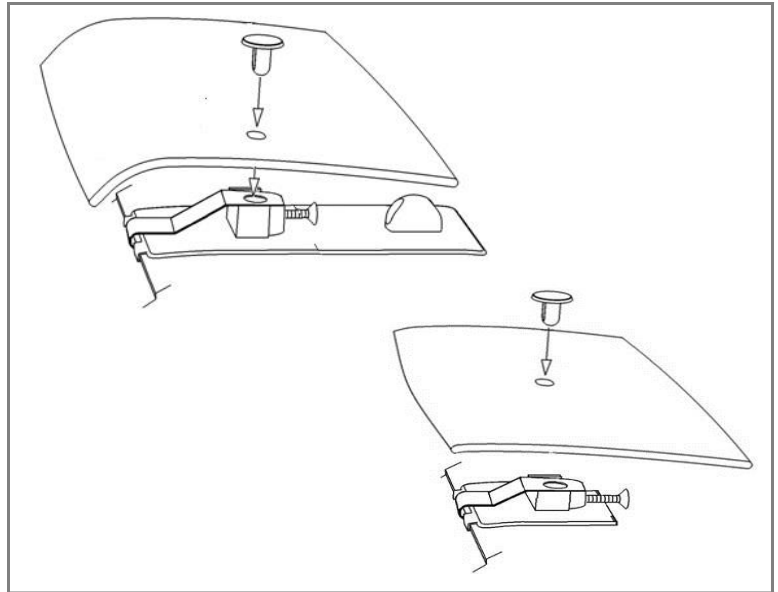


Install metal brackets

9

NOTE

Push metal mounting brackets over the hood edge aligned with the anti-abrasion pads. Ensure the bracket is fully seated over the hood edge and the hole in the bracket is aligned with the hole in the pedestal.

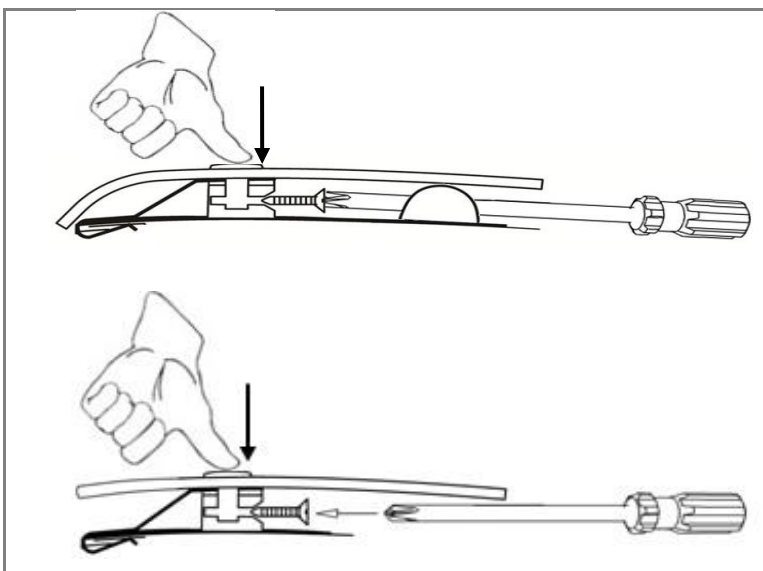


Position protector, install pins

10

NOTE

Place the protector on the pedestals and starting at the center position, install a pin through the protector and into the pedestal.



Partially tighten the screws

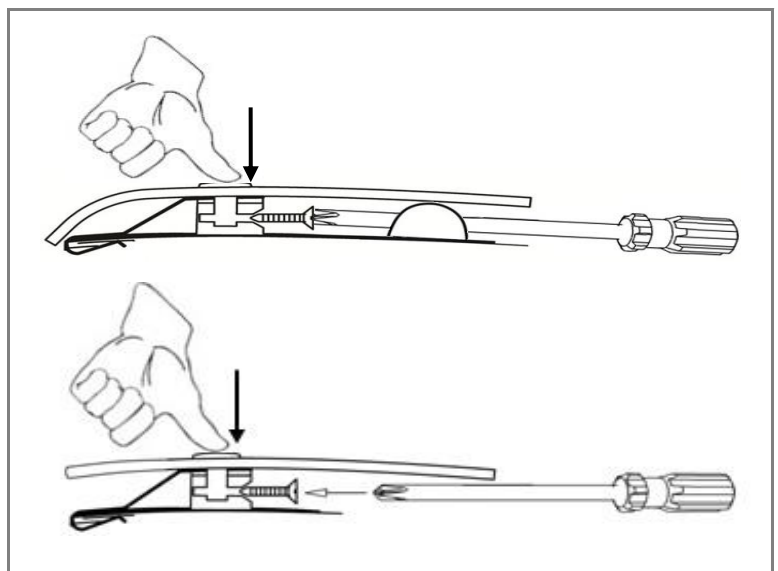
11

NOTE

Maintain slight pressure on the pin to ensure proper seating of the components, while simultaneously tightening the screw a few turns. Repeat for remaining pedestal locations.



NOTE: Only tighten screws a few turns so the pins are held in place but there is still some movement of the protector as this assists in final alignment of all attachment positions.



Finish tightening the screws

12

NOTE

Confirm protector is centered on hood. Starting at the center location tighten all the screws that were loosely installed in step 11.



NOTE: To allow adhesive to cure do not wash your vehicle for 24 hrs. Please inform the customer of this.