

# FORM FIT











Vehicle Model Elantra  
 Model Year 2019~  
 Part No. HD10E19

Accessory Hood Protector  
 Difficulty (B)

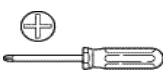


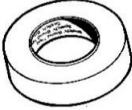
## Accessory Installation

**Note:** Difficulty stated above reflects the minimum level of expertise required to install the accessory.  
 ( A ) Customer ( B ) Dealer Technician ( C ) Master Technician

### Instructional Symbols / Definitions

	Denotes warnings that may lead to serious physical injury or vehicle damage.		Denotes quality processes to be checked prior to moving to the next step.	Denotes safety equipment required to be used such as a mask, safety glasses, gloves, and hearing protection.	
	Denotes cautions to be taken to avoid physical injury or electronic component damage.		Denotes specific tools that are necessary to complete the step.		
	Denotes cautions to be taken to avoid vehicle and component damage.		Denotes instructional steps necessary to complete the process.		
				Mask	Safety Glasses
				Gloves	Hearing Protection

### Basic Required Hand Tools

		
#2 Phillips Screwdriver with LONG SHANK	Clean Cloth	Tape measure
		
Masking tape		

### Notes to the Installer:

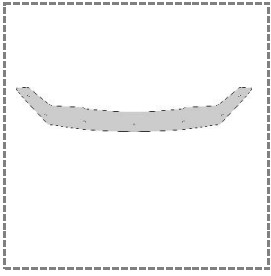
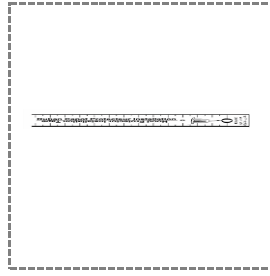
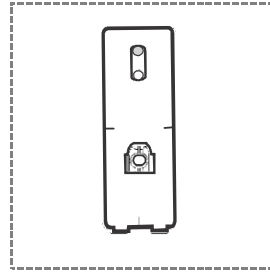
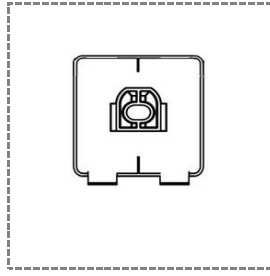
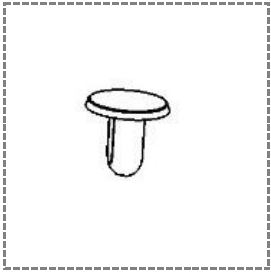
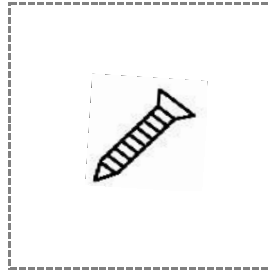
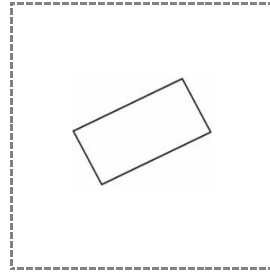
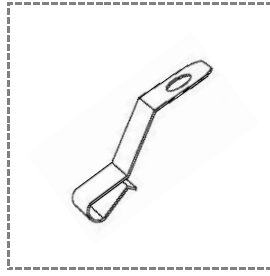

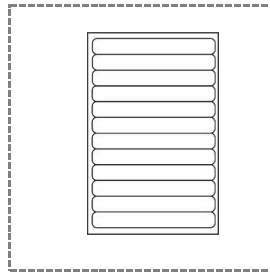
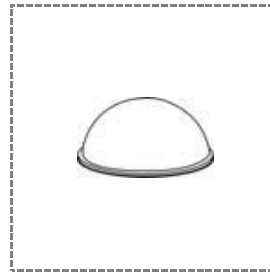
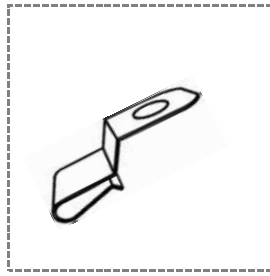
Read the entire installation manual prior to beginning the installation of the accessory.

To prevent vehicle damage, never place tools on top of painted surfaces, seats, dash pad, console or floor carpet / mat.

Always wear appropriate safety gear to include gloves and eye protection when required.

Make sure the vehicle is clean and completely dry before installation.

Make sure the vehicle is at room temperature or warmer: 15° to 43°C (60° to 110°F) before starting installation and that it remains at room temperature for 1 hour afterward to develop maximum adhesion of the 3M tape to the vehicle's surface.

1		2		3		4		
5		6		7		8		
9		10		11		12		
13		14		15		16		
#	Qty.	Description	#	Qty.	Description	#	Qty.	Description
1	1	Hood guard	7	7	Abrasion pads			
2	1	Installation tape measure	8	3	Large metal mounting brackets			
3	3	Large adhesive pedestals	9	1	Surface Cleaner			
4	4	Small adhesive pedestals	10	1	Re-useable tape strips			
5	7	Pins	11	2	Bumpons			
6	7	Screws	12	4	Small metal mounting brackets			

## INSTALLATION

- Make sure the vehicle is clean and completely dry before installation.
- This product uses a 3M adhesive that requires installation and curing temperatures of 15° to 43°C (60° to 110°F) for 1 hr to develop maximum adhesion to the hood surface. Failure to install this product at the proper temperature or allow adequate curing time before use is not covered under warranty.
- Proper installation of the adhesive pedestal system requires the use of a #2 Phillips screwdriver, preferably with a long shaft. The shaft of the screwdriver needs to fit through the hole in the pedestal. Use of the correct screw driver will facilitate a trouble free installation. Do not attempt to use #1 or smaller Phillips screwdriver or any type of electric screwdriver.

## CARE

Hand clean the protector using a mild soap and water solution or plastic cleaner only.

Avoid automatic car-wash equipment where a brush and/or soft cloth come in contact with the hood protector. Touch-less style automatic car-wash equipment is less likely to harm the hood protector.

## SERVICE

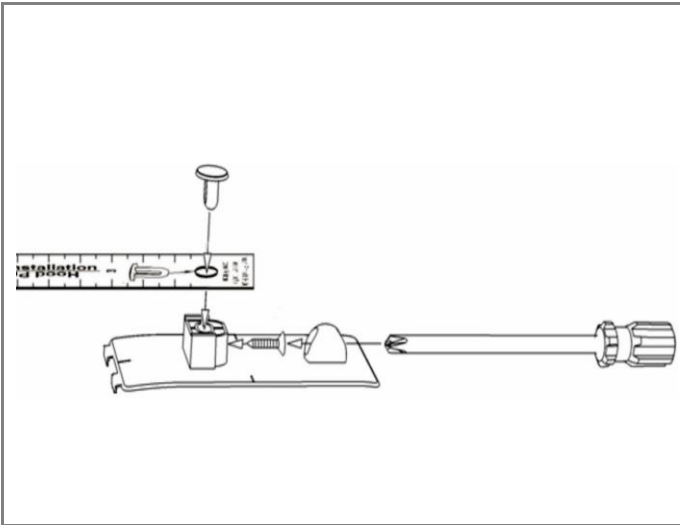
Periodically check to confirm the protector is securely attached to the hood.

## WARNING

Do not pull/push on the protector when opening/closing the hood.

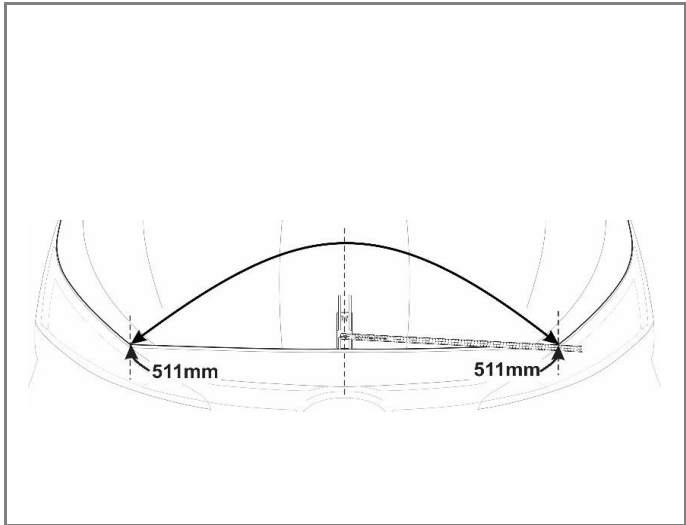
## NOTE

On some vehicles it may be necessary to adjust the hood bumpers and/or latch for proper clearance.



**Prepare tape measure** 1

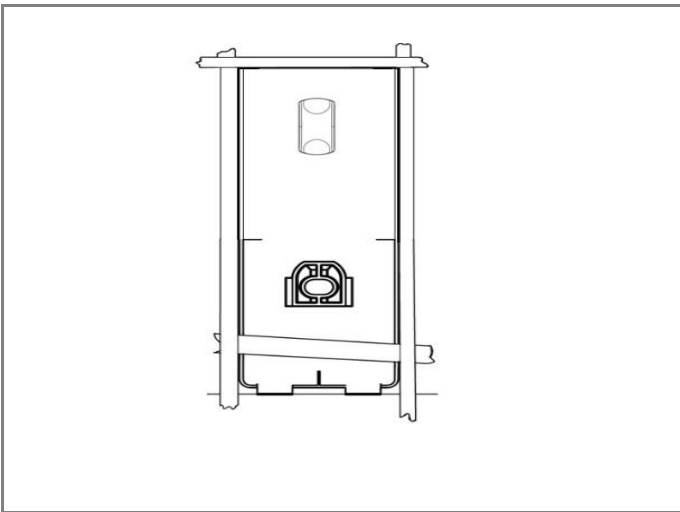
**NOTE** Insert a pin through the hole in the hood protector installation tape measure supplied and into one of the large adhesive pedestals and install a screw into the pedestal



**Locate the center pedestal** 2

**NOTE** Use the installation tape measure to confirm the pedestal is centered by measuring to the two front corners of the hood. Move the pedestal left or right until it is perfectly centered. The measurement provided is an approximation and is provided as a starting position.

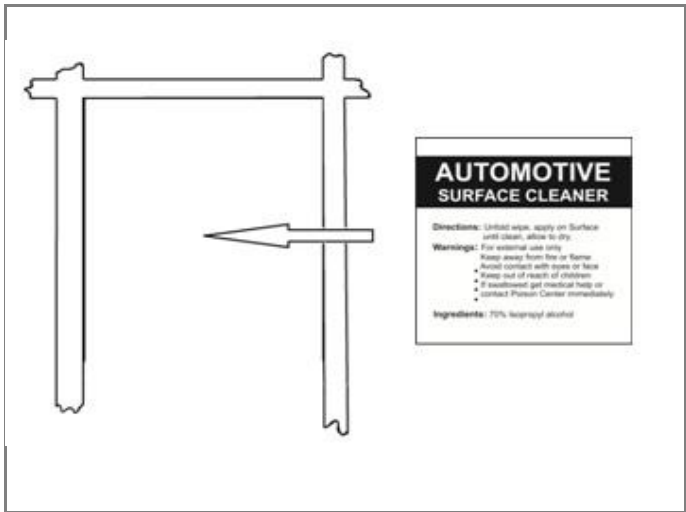
**Proper positioning of the center pedestal is critical to ensuring proper positioning of the remaining hardware and the hood protector.**



**Outline center pedestal** 3

**NOTE** Once the location of the center pedestal has been established, outline its position with the supplied tape strips or masking tape.

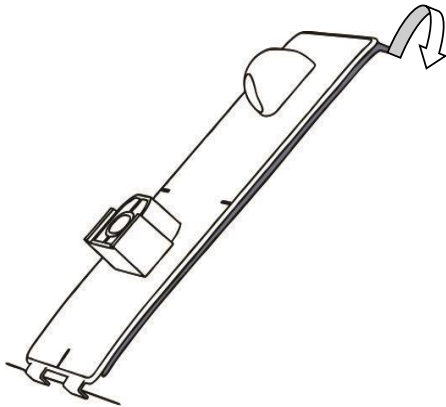
**Warning:** Proper marking and prepping of all pedestal locations is critical. Accurately installing them in the exact position is very important. Once attached, the pedestals are very difficult to remove - place them correctly the first time!



**Clean the surface** 4

**NOTE** Remove the pedestal and thoroughly clean the outlined area with the surface cleaner. Wipe dry with a clean cloth or paper towel. This will insure all wax, finger prints and oils are removed from the hood surface in the bonding area.

**Important! Proper preparation of the hood surface will ensure maximum adhesive bond.**



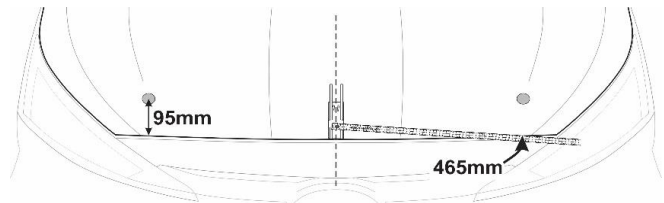
**Permanently attach pedestal** 5

NOTE

Remove the red backing from the adhesive and install on the hood surface. Tip: Hook the fingers on the pedestal over the hood edge and rotate the unit into position. After installation, remove the tape strips and "wet out" the pedestal base by applying pressure with your thumb around the surface of the pedestals.



**Important: "wetting out" of the pedestal will ensure maximum adhesive bond.**



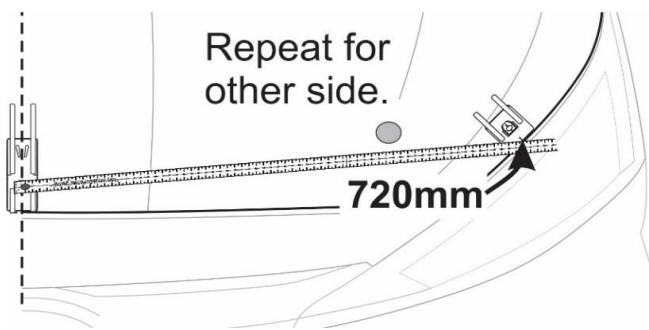
**Install Bumpons** 6

NOTE

Using the measurements provided, install two (2) bumpons as illustrated.



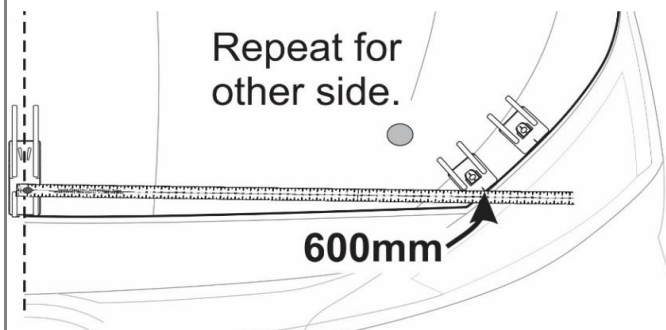
**Bumpons must be installed on hood. If they are installed on the hood protector they may wear through the paint on the hood!!**



**Temporarily fit small pedestals** 7

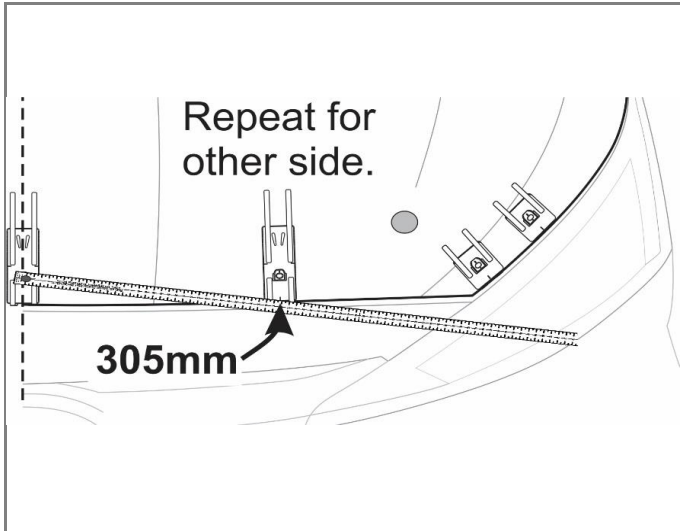
NOTE

Dry fit the small pedestals using tape strips supplied or masking tape to temporarily hold them in position. The positions of the pedestals are shown in the illustrations. Use the center line on the leading edge of the pedestals for accurate measuring. See illustration.



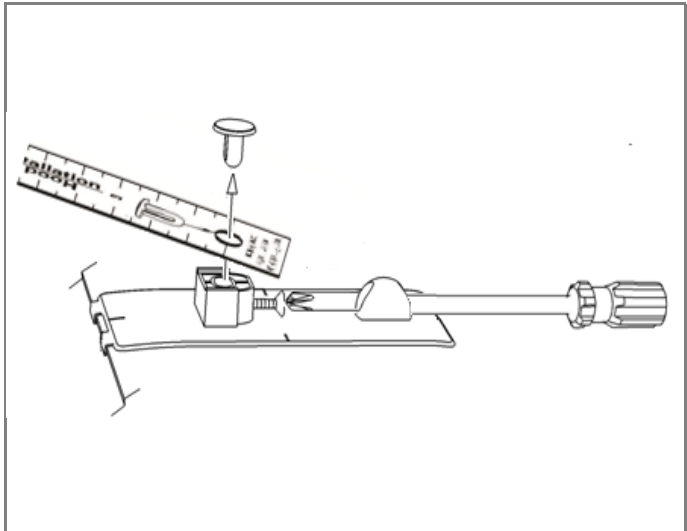
8

NOTE



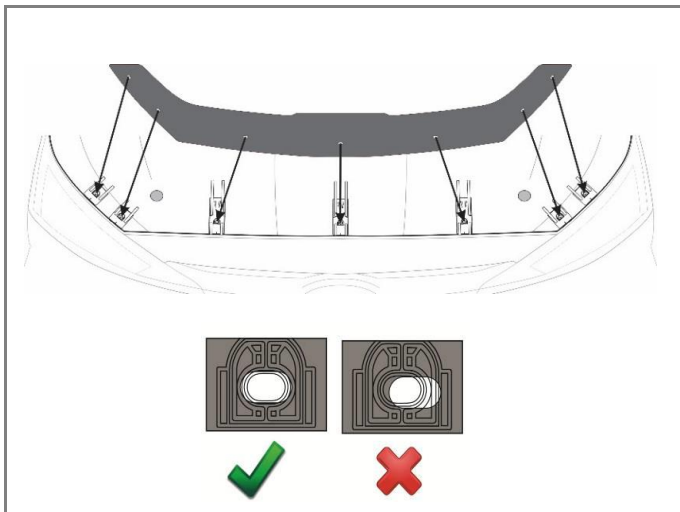
**Temporarily fit large pedestals** 9

**NOTE**  
 Dry fit the small pedestals using tape strips supplied or masking tape to temporarily hold them in position. The positions of the pedestals are shown in the illustrations. Use the center line on the leading edge of the pedestals for accurate measuring. See illustration.



**Remove installation tape measure** 9

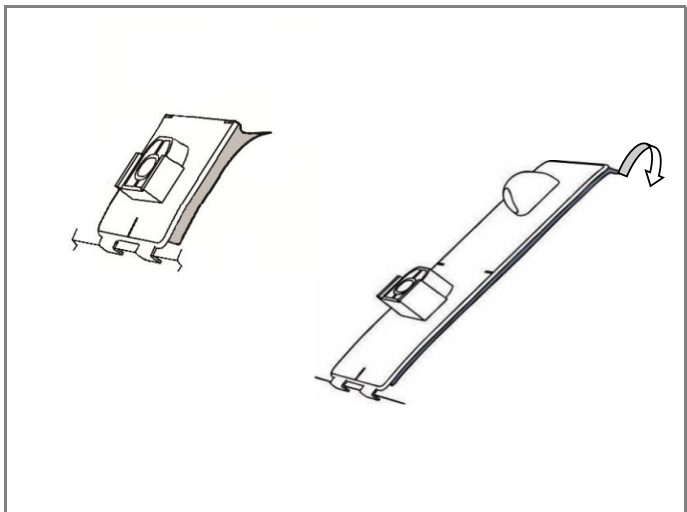
**NOTE**  
 Remove the hood protector installation tape measure by loosening the screw and removing the pin.



**Test fit hood protector** 10

**NOTE**

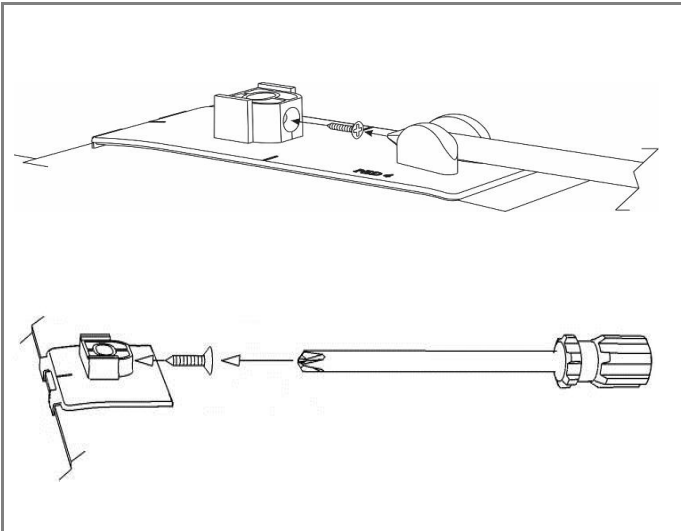
- Place the hood protector on the pedestals to confirm proper positioning.
- Ensure the holes in the protector align with those in the pedestals.
- If necessary, reposition the pedestals so all attachment positions are correct and the protector is well centered.



**Attach remaining pedestals** 11

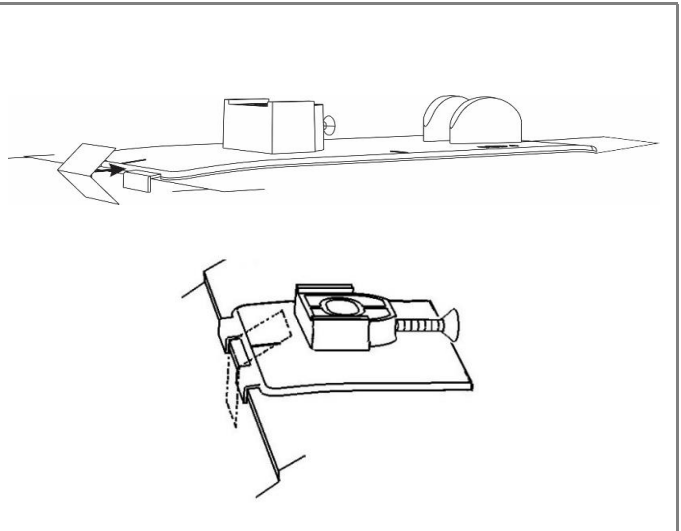
**NOTE**  
 Once locations for the remaining pedestals have been established, repeat steps 3, 4 and 5 for those pedestals.

**Warning:** Place all pedestals carefully as once they are stuck down, they are very difficult to remove.



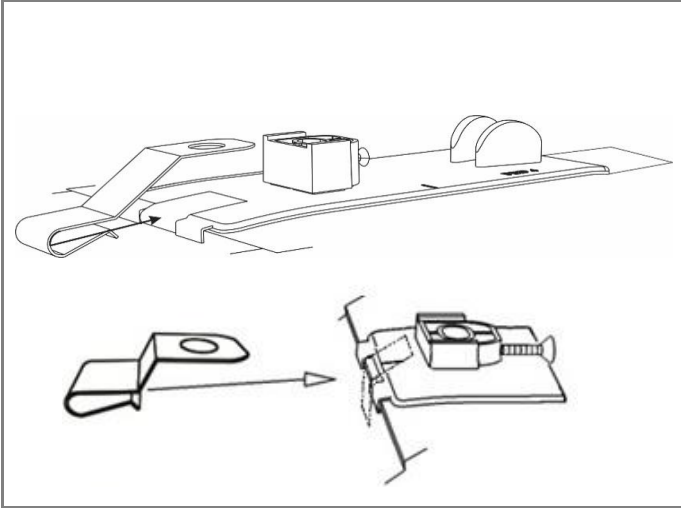
**Start screws** 12

**NOTE** Start a screw into each pedestal a few turns. The tip of the screw must not protrude into the hole where the attachment pin will install later.



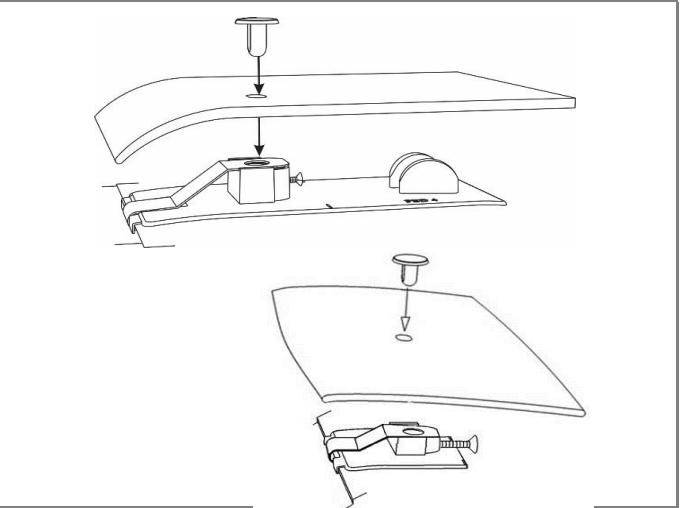
**Install anti-abrasion film** 13

**NOTE** Peel and fold the anti-abrasion film pads in half over the hood edge between the fingers on each of the mounting pedestals.



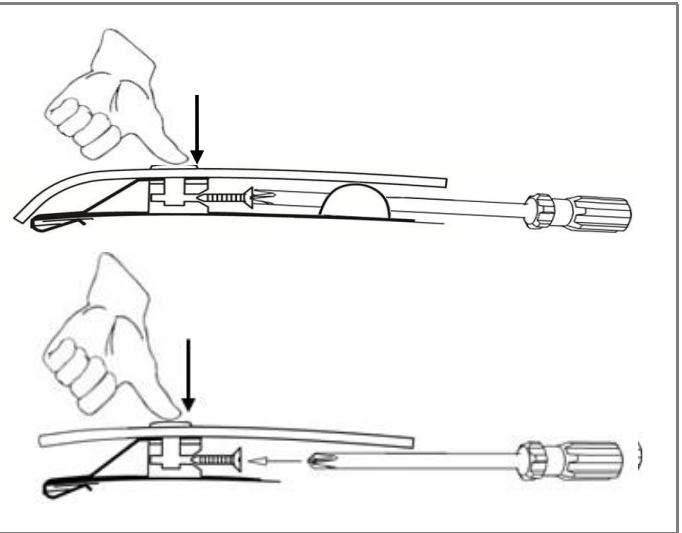
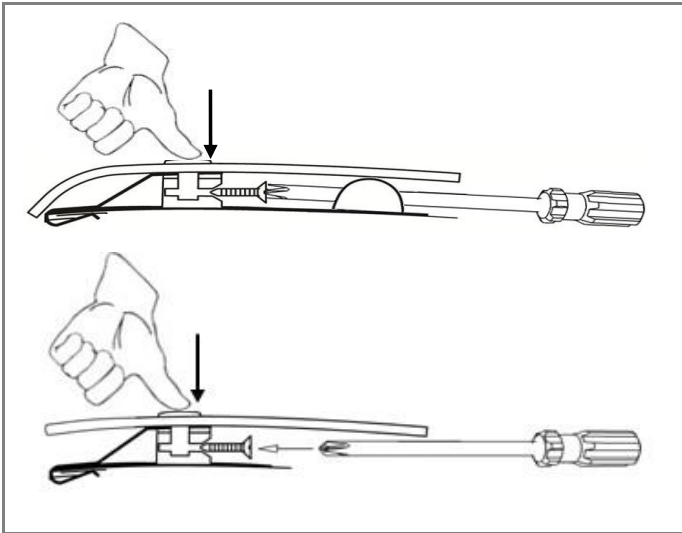
**Install metal brackets** 14



**NOTE** Push metal mounting brackets over the hood edge aligned with the anti-abrasion pads. Ensure the bracket is fully seated over the hood edge and the hole in the bracket is aligned with the hole in the pedestal.





**Position protector, install pins** 15

**NOTE** Place the protector on the pedestals and starting at the center position, install a pin through the protector and into the pedestal.



	<b>Partially tighten the screws</b>	<b>16</b>
<b>NOTE</b>	Maintain slight pressure on the pin to ensure proper seating of the components, while simultaneously tightening the screw a few turns. Repeat for remaining pedestal locations.	
	<b>NOTE:</b> Only tighten screws a few turns so the pins are held in place but there is still some movement of the protector as this assists in final alignment of all attachment positions.	

	<b>Finish tightening the screws</b>	<b>17</b>
<b>NOTE</b>	Confirm protector is centered on hood. Starting at the center location tighten all the screws that were loosely installed in step 16.	
	<b>NOTE:</b> To allow adhesive to cure do not wash your vehicle for 24 hrs. Please inform the customer of this.	