

# FORM FIT HOOD PROTECTOR

Nissan Rogue 2008 -

HD 13S 08

## HARDWARE KIT

3 – Large Bumpers	4 – Clip Bodies
3 – Center Supporting Clips	4 – ‘L’ Brackets
3 – # 8 x 7/16” Black Screws	4 – Pins
4 – 3M Anti-Abrasion Film Pads	4 – # 6 x 5/8” Flat Head Screws

## TOOLS REQUIRED

- 1 – Phillips Screwdriver # 2
- 1 – Tape Measure

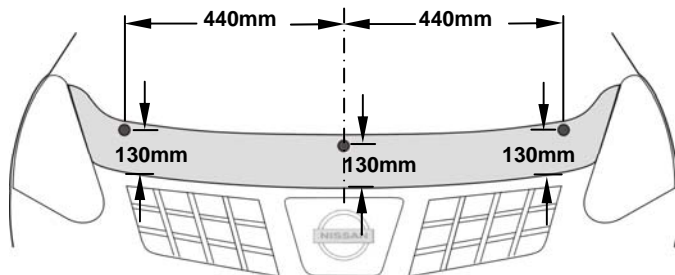


1. Be sure that the hood is clean and dry inside and out. Release the hood, but do not open it.
2. Install the bumpers as shown in *Illustration #1*. **Attention: The bumpers must be installed on the hood, not on the protector!!!** If the bumpers are installed on the protector, they will wear through the paint.
3. Install the three (3) Center Supporting Clips over the hood edge and position according to measurements shown in *Illustration #2*. Be sure the clips are fully seated against the hood edge.
4. Place the protector on the hood and align the center hole in the protector with the hole in the supporting clip at the center location. Start a #8 x 7/16” Black screw into the supporting clip. **Do not tighten the screw until Step #7.** Ensure the protector is well centered on the hood using the hood edges as a reference. Adjust the two remaining Center Supporting Clips as necessary on the hood edge to align with the remaining holes in the protector, and start a #8 x 7/16” Black screw into each of the supporting clips. **Do not tighten the screw until Step #7.**
5. With the protector centered on the hood, peel and fold an anti-abrasion film pad in half over the edge of the hood, underneath each of the four (4) outer holes in the protector. *See Illustrations #3 – Step #5.*
6. a) Place a clip over each of the anti-abrasion film pads on the edge of the hood as shown below in *Illustration #3 – Step #6a*.  
b) Insert a pin through the protector into each of the clips. *See Illustration #3 – Step #6b.*  
c) Insert a #6 x 5/8” screw through an ‘L’- bracket and into the clip. *See Illustration #3 – Step #6c & 6d.*  
d) Make sure all the components are well seated together; the protector is centered on the hood, and then tighten the screws into the clips.
7. Tighten all (3) three #8 x 7/16” Black Screws into the Supporting Clips installed in step #4. **Do not over tighten.**
8. On some vehicles it may be necessary to adjust the hood bumpers and/or latch for proper clearance.  
**Note: Do not pull on the protector when opening or closing the hood.**

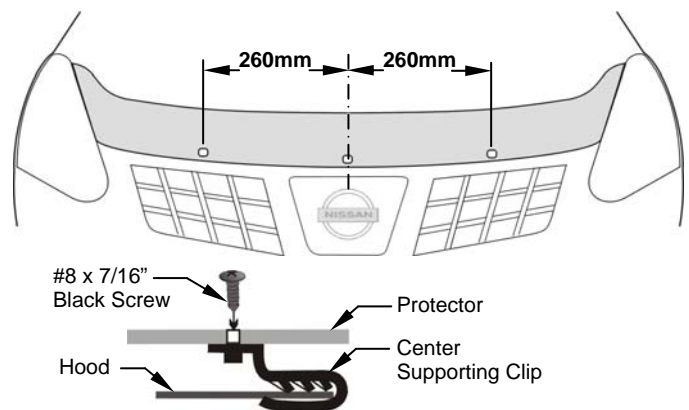
## CARE INSTRUCTIONS

Clean the protector with a mild soap and water solution or plastic cleaner only. Do not use chemicals or solvents. Periodically check to make sure the bumpers are in place and the protector is secure. Avoid using automatic car washes. Do not pull on protector when opening or closing the hood.

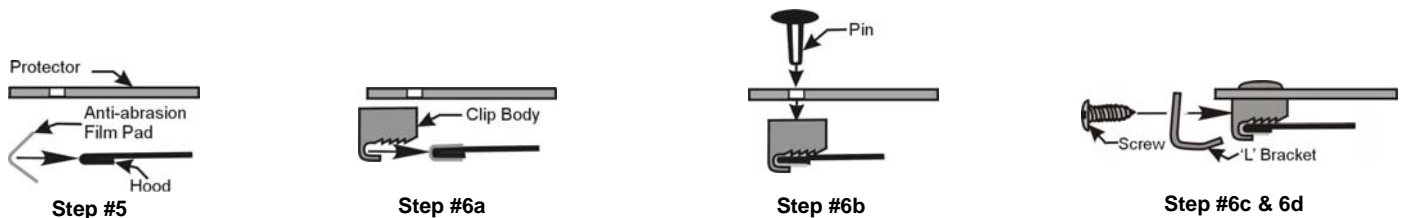
**Illustration #1 – Bumpers Placement**



**Illustration #2 – Center Supporting Clip Placement**



**Illustration #3 – Clip Configuration – Patent No. 6,892,427**



Thank you for purchasing a **FORM FIT** hood protector. Retain this sheet for care instructions and kit information.

Made in Canada

Rev1.100129